

LED EX. ZERTIFIZIERTE STANDLEUCHE LGT-SCHADIR-XXX-XXXX- IP66

Portable LED Explosion Proof Flood Lights



Fully charged, 5.4
hours working time!

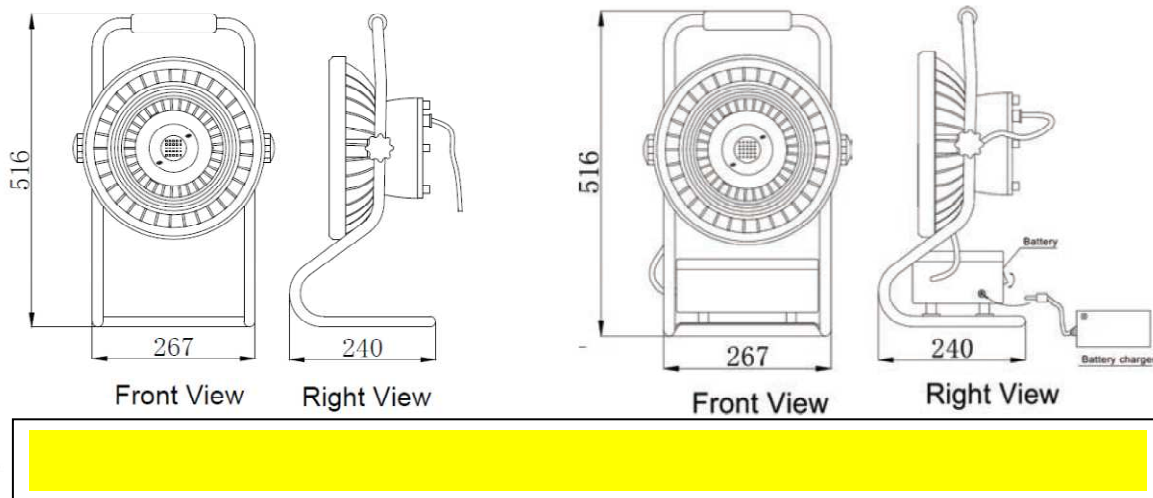
Specifications:

- Power: 20W-120W
- Beam Angle: 60°/90°/120°
- Voltage: 100-240VAC/12/24/48VDC
- Explosion-Proof Rating: Ex dIICT6 / Ex deIICT6
- Color: 3000-3500K / 4000-4500K / 6000-6500K
- Operating temperature: -40 to + 60°C
- Material: Aluminium Alloy Extruded Shape
- Light Degradation: < 5% in 20,000 hours
- Warranty: 2 years



Dimensions:

Model	Dimension(mm) AxB
	267x240x516



Applications:

LED Explosion Proof are applicable to mine field, workshops, military establishments, gas station, and the place where there is inflammable and explosive materials.

LED STANDLIGHT EX. CERTIFIED CASTOR

20 / 50 / 60 / 100 / 120 Watt

ATEX, SAA, UL, Ex. zertifiziert.

Explosion area's, ATEX EU group: II2GD, Ex.d, T6, Gb, Ex. T IIIC T80 C, Db, II A / II B / II C Zone: 1 / 2 / 21 / 22 Temperatur: T1 to T6

Typical Application

- GAS –production
- Petrol-chemical industry
- Productions-, Logistic- and stock buildings
- Paper Industry