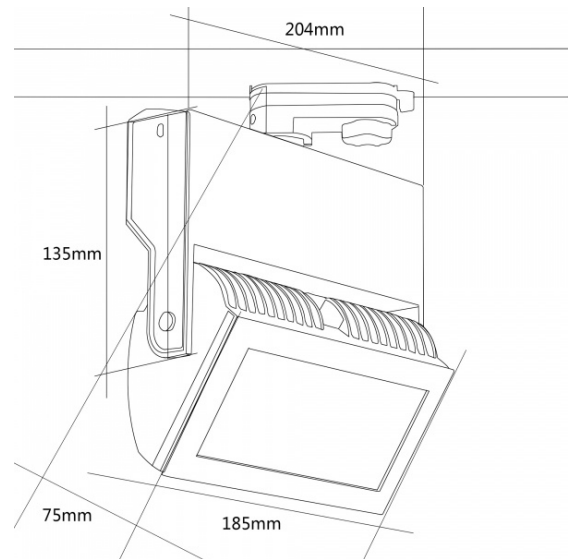


HB 9~A: 9~I G68@~A×=I

LGT-ATAIR-TR-50W-RT

Features :

- ★ Long life-span, up to 80 000 hours
- ★ Short payback, less than 1 year
- ★ Saving energy up to 70%
- ★ High quality with 5 years guaranty
- ★ No mercury, no UV
- ★ No maintenance cost
- ★ Optimal heat dissipation design
- ★ Instant start



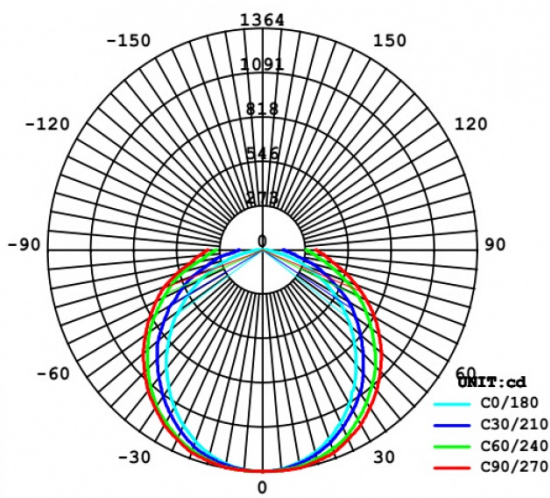
Specifications :

Name	SMD LEDs TRACK LIGHT
Model	UPL-TR-50W-RT
Working-voltage	AC100-240V 50/60HZ
Power	50W
Light source	SAMSUNG SMD LEDs
Lumens	100-110LM/W
Color temperature	3000K/4000K/5000K
Color rendering	Ra>80/90
Bean angle	120°
Operating temperature	-20°C~60°
Storage temperature	-30°C~80°
Dimmability	Triac Dimming/1-10V/DALI (Optional)
IP grade	IP20
Life-span	50000 hours
Guaranty	5 years
Certificates	CE & RoHS, UL
Housing color	White
Lamp dimension	L204*W75*H135mm
Net weight	2.2kgs
Packing inner box	L295*W200*H160mm
Packing outer carton	L620*W430*H350mm, 8pcs/carton, GW 20kgs
Packing material	Carton

Luminaire photometric test report

DATA OF LAMP		PHOTOMETRIC DATA			
MODEL	UPL-TR-50W-RT	Fluxmax (cd)	1364	S/MH (C0/180)	1.23
NOMINAL POWER (W)	49.9	EFFICIENCY (%)	100.0	S/MH (C90/270)	1.35
RATED VOLTAGE (V)	230.9	TOTAL FLUX (lm)	4529.9	η UP (C0-180)	
NOMINAL FLUX (lm)	4528.5	CIE CLASS	DIRECT	η DN (C0-180)	
LAMPS INSIDE	1	η up (%)	0.0	η UP (C180-360)	
TEST VOLTAGE (V)	230.5	η down (%)	100.0	η DN (C180-360)	

LUMINOUS INTENSITY DISTRIBUTION



LUMINOUS INTENSITY DISTRIBUTION

